

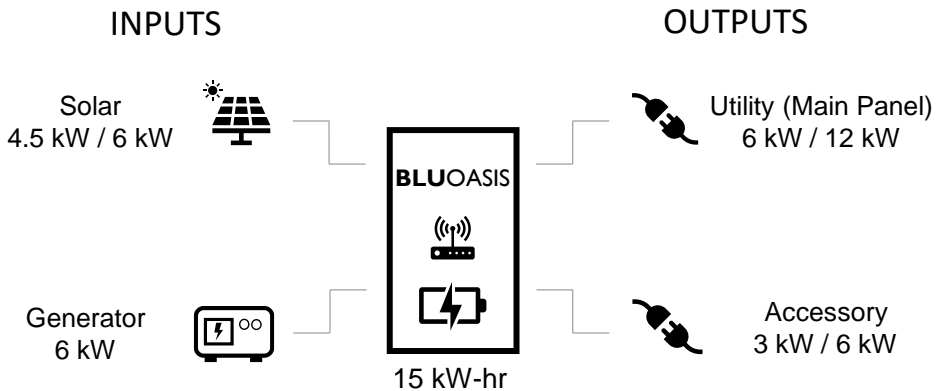
BLUPOWER



BLUPOWER 1506 | 1512 MODELS

The BluPower® 1506 and 1512 are fully integrated solar power production units for a single-family home, school, or clinic. Each unit has been optimized for easy setup and simple operation using an intuitive power interface and control panel. In addition, each unit is IoT-enabled for remote monitoring and operation and provides user-controlled power switching.

BluPower® has an integrated power management system that can receive DC power from up to 6kW of solar arrays or AC power from a generator. Its rechargeable 15kW-hr lithium-iron-phosphate (LiFePO4) battery provides energy storage for self-consumption as well as providing 6kW or 12kW of AC utility and accessory power. Its standard electrical interfaces make it simple to connect and power a remote job site, off-grid equipment, or even a home.

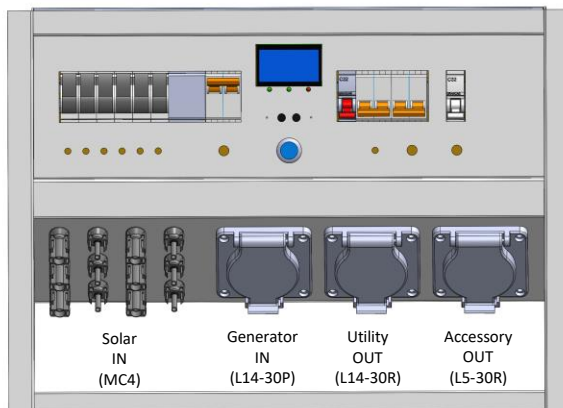


PERFORMANCE SPECIFICATIONS

Model Number	BluPower 1506	BluPower 1512
Total Battery Capacity	15 kW-hr	15 kW-hr
Number of Battery Modules	1	1
Battery Module Chemistry	LiFePO4	LiFePO4
Nominal Battery DC Voltage	52 V	52 V
Max Continuous Output Power	6 kW	12 kW
Surge Rating (<5 sec)	18 kW	36 kW
Output Waveform	Pure Sine	Pure Sine
Factory Programmable AC Output Voltages	110/220 V or 120/240 V	110/220 V or 120/240 V
Factory Programmable AC Output Frequency	50Hz or 60Hz	50Hz or 60Hz
Utility AC Output	220 V or 240 V @ 30 A	220 V or 240 V @ 50 A
Controllable Accessory AC Output	110 V or 120 V @ 30 A	220 V or 240 V @ 30 A
Generator AC Input	220 V or 240 V @ 30 A	220 V or 240 V @ 30 A
Maximum Solar Array Input	4.5 kW	6.0 kW
Number of Solar Array Input Strings	6 @ 10 A 90 VDC Max	8 @ 10 A 90 VDC Max
System Consumption	80 W	180 W
Unit Dimensions (HWL)	147 x 66 x 102 cm (58 x 26 x 40 in)	147 x 66 x 102 cm (58 x 26 x 40 in)
Unit Mass	293 kg (645 lb)	338 kg (745 lb)
Operating Environment	Indoor	Indoor
Power System Operating Temperature	0 to 45 °C (32 to 113 °F)	0 to 45 °C (32 to 113 °F)
Non-Operating Storage Temperature	-20 to 60 °C (-4 to 160 °F)	-20 to 60 °C (-4 to 160 °F)

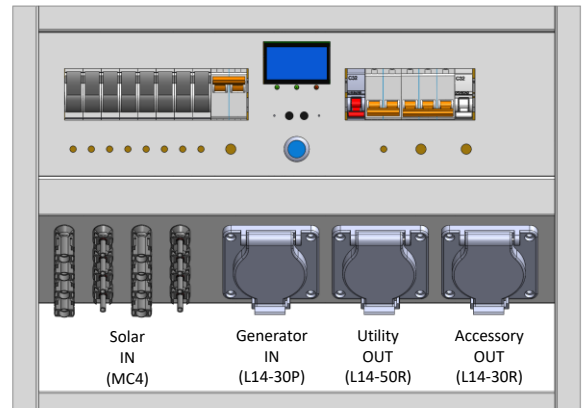
POWER INTERFACE PANEL CONFIGURATIONS

BluPower 1506



Six (6) @ < 90VDC / 10 Amp 240VAC / 30 Amp 240VAC / 30 Amp 120VAC / 30 Amp

BluPower 1512



Eight (8) @ < 90VDC / 10 Amp 240VAC / 30 Amp 240VAC / 50 Amp 240VAC / 30 Amp